



anywhere
fireplace®

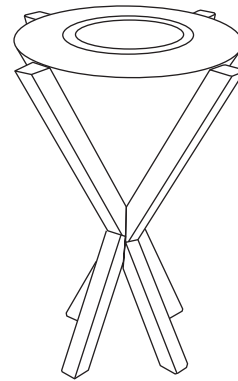
.....
ambiance of fire... anywhere

www.anywherefireplaces.com

Devco LLC

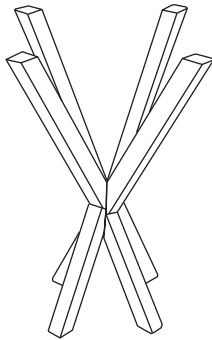
Larchmont, NY 10538

This product has been designed for your enjoyment. Please carefully read all warnings and installation instructions before use.



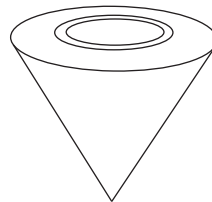
Southampton Table Top Model # 90232

INCLUDED ITEMS



TEAL FIREPLACE STAND (A)

x1



304 STAINLESS STEEL
CONE AND CUP (B)

x1



FLAME SNUFFER (C)

x1

ANYWHERE FIREPLACE®

The exciting **Anywhere Fireplace Southampton series GEL FUEL fireplaces** combines the popular and appealing teak wood with premium polished stainless steel. The striking design of these fireplaces will make a dramatic statement whether you choose to place them indoors, but especially outdoors. Just imagine them on your patio, by a pool, in your yard, on dock, deck or at your beach house. They are made of reclaimed quality teak and 304 grade polished stainless steel accents for a dramatic yet warm look. These fireplaces are clean burning, so you may use them indoors or out, move it from your house to your outdoor oasis.

This Fireplace Only uses 13Oz Gel Fuel Cans made specifically for ventless fireplaces. **Note**, there are Gel Fuel cans on the market that have citronella oil in them. If using the Gel Can with Citronella Oil, it can only be used outdoors. A Gel Can will burn approx 2.5 hours.

DISCLAIMER

Each piece of teak is a reclaimed natural wood so slight color variations in each piece may exist. Over time, depending on your location and the conditions, the original orange/brown color of the teak will change and may become darker or turn gray. You may use a teak oil to preserve the original color or teak cleaner to bring your teak back to its original color.

QUESTIONS

KEEP THESE INSTRUCTIONS HANDY AND MAKE SURE ANYONE WHO WILL BE USING THIS FIREPLACE HAS READ ALL OF SAFETY INFORMATION AND HOW TO PROPERLY OPERATE THIS FIREPLACE. For any questions related to parts, assembly, safety or operation visit us on the web at www.anywherefireplaces.com, email us at info@anywherefireplace.com or call **914-834-5855**

WARNING

For use **ONLY** with **13 oz. Gel Fuel Cans made specifically for ventless fireplaces.**

NOTE: Some GEL fuel cans on the market may offer a version that contains citronella oil in them as a mosquito deterrent. You may use Gel fuel cans with Citronella Oil however, if you choose to do so, remember that CITRONELLA CANS MAY ONLY BE USED OUTDOORS as they will produce smoke and soot.

IMPORTANT SAFETY MEASURES

- This fireplace will produce heat, but should not be used as a main source of heat
- This fireplace is intended to be placed on a table or level surface. Be sure it is in a location that it will not get knocked over
- Be sure to keep any flammable materials such as drapes/curtains and any decorations at least 4 ft away from fireplace
- Do not place any items on top of or inside the fireplace
- Do not touch or move the fireplace while lit or still hot
- **USE ONLY APPROVED Gel Canisters of fuel made specifically for ventless fireplaces**
- It is extremely dangerous and forbidden to use any other alcohol or bio-ethanol fuel other than one made for fireplaces
- **The stainless steel cone and cup will be hot during use and remain hot for 15 minutes after use**
- Make sure the fire is extinguished by placing the provided snuffer over the cup when finished being used or before replacing the can.
- **Never Touch or Replace Gel fuel can while it still hot. Only discard the can in the garbage when cool.**
- Do not ingest bio-ethanol fuel and avoid contact with eyes and skin
- Be sure to not spill any fuel outside of the can. If you do spill, make sure to wipe up all spillage before igniting the fire
- Only use a long BBQ lighter or long match to ignite the gel fuel can
- Be sure to have a fire extinguishing device in the proximity of the fireplace in case of emergencies
- Never leave a lit fireplace unattended
- Be sure to keep children and pets away from the fireplace while lit and while still hot after extinguishing
- Never smoke near the fuel or leave the fuel near an open flame source or in area of high heat
- Store your fuel containers away from any heat source or open flame
- Be sure to store and keep your fuel away and out of reach of children and pets
- To extinguish the flame, place the disc of the snuffer over the cup and wait 10 seconds to make sure the flame is out.
- It is forbidden to modify this fireplace in any way

FUEL INFORMATION

- **ONLY** Burn Gel Fuel Cans in this Fireplace that are specifically made for ventless fireplaces
- If the can has any paper labels or other material on it, be sure to remove this before first use
- Please contact us if you have any questions at 914-834-5855 or info@anywherefireplace.com

INSTALLATION

- Choose a location 4 ft away from flammable objects or materials (drapes, fabrics, furniture, etc.)
- Be sure to remove all packing materials, cardboard, etc.
- This can be used indoors or outdoors. (Do not use a gel fuel with citronella indoors)
- Make sure the fireplace is on a steady flat surface and away from children, pets, or flammable objects

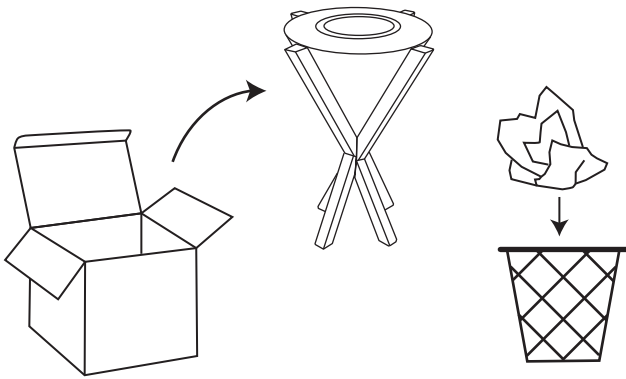
ASSEMBLY INSTRUCTIONS

We suggest you assemble your fireplace on a carpeted surface or on a towel to avoid any scratches to your floor or fireplace.

Please locate and carefully unwrap all the parts that came with you fireplace. Place these parts on a surface where they will not get scratched or dented

IF ANY OF THE WOODEN PARTS ARE BROKEN, DO NOT ASSEMBLE AND CONTACT US AT 914-834-5855 or at info@anywherefireplace.com. NEVER ATTEMPT TO MODIFY THIS FIREPLACE

Step 1 Remove the fireplace from the box and remove any paper or plastic wrapping.

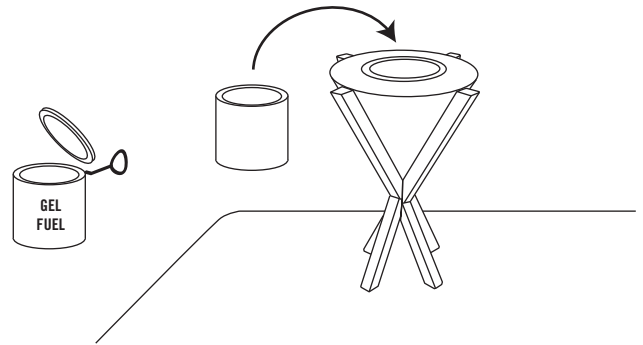


Step 2

Place your Anywhere Fireplace on a flat steady surface outdoors or indoors away from any flammable materials. Take a Gel Fuel Can (SOLD SEPARATELY) and remove any paper wrapping on the can if there are any.

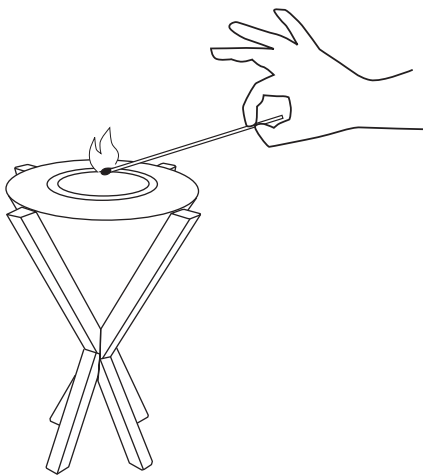
Remove the lid using a paint can opener or other similar device and place it into the cup in the fireplace.

Make sure no fuel has spilled out of the can. If it has, clean all of it up before you attempt to light the fuel.



Step 3

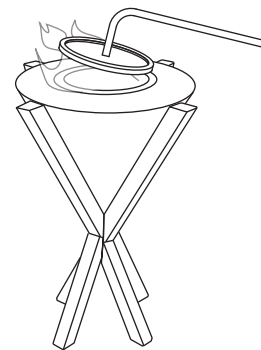
Using a BBQ lighter or other long lighter or match, light the gel fuel can.



Step 4

To extinguish the flame, use the snuffer (part C) by placing it over the cup and cutting off the air to the flame. To be sure the fire is extinguished, be sure to leave the snuffer over the cup for at least 10 seconds. Always double check that the fire is extinguished before leaving it unattended.

Once cool, approx 10 minutes, you can replace the lid of the can if there is fuel remaining in the can and you intend to reuse the fuel. If the fuel can is empty, be sure the can is cool before discarding it into the garbage.



CAUTION: Fireplace and all metal objects will be hot while lit and may stay hot for a while after extinguishing the flame. Allow 15 minutes for the metal to cool down after confirming the fireplace is extinguished before attempting to touch the fuel can, metal parts or to move the fireplace.

ALWAYS USE CAUTION when lighting the fireplace. Never allow children to use this product and keep children, pets and flammable objects away from the fireplace while it is in use.